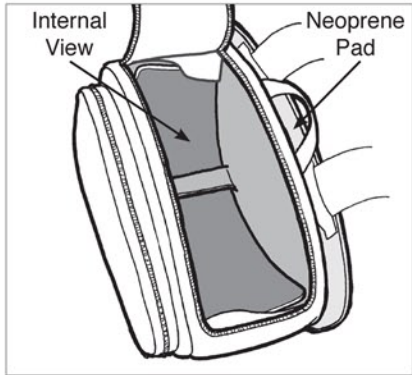


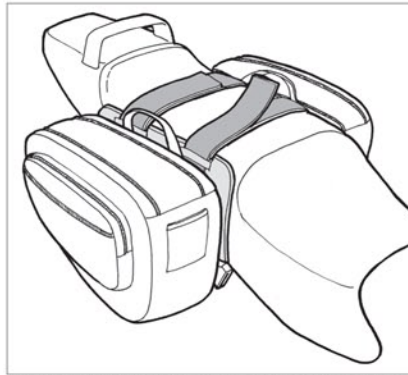
Saddlebag Instructions

Please read instructions carefully before installation. We recommend this product be installed by a qualified, and experienced motorcycle technician. If you are unsure of any of the below directions and or your ability to correctly and securely install this product, please contact us or your local dealer for help. Below diagrams show typical installation, your motorcycle may be different so please use diagrams as a guide. Make sure your motorcycle is clean and free from dirt, road grime etc. where the Nelson-Rigg® luggage mounts.

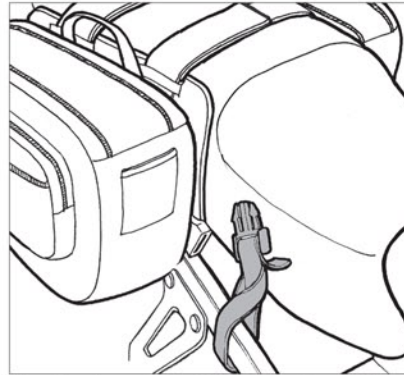


Insert the plastic saddlebag stiffener under the loop in the base of the bag. Tuck the two top edges under the "pockets" just inside of the opening. Stiffener may seem long, just push stiffener into bottom of bag.

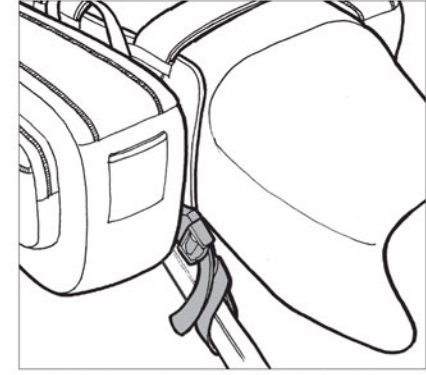
* Stiffeners for CL-905 are optional and can be purchased separately



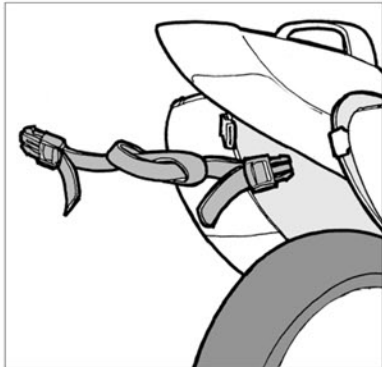
Connect Velcro® straps on each bag together as shown and position over, or if your bike allows, under the seat. Adjust these straps to determine the height of the bags. Further adjustment may be necessary once bags are loaded to ensure they do not come into contact with your exhaust (see diagram below) or moving bike part. For wider vehicles and seats, Velcro® extensions straps can be ordered from our website.



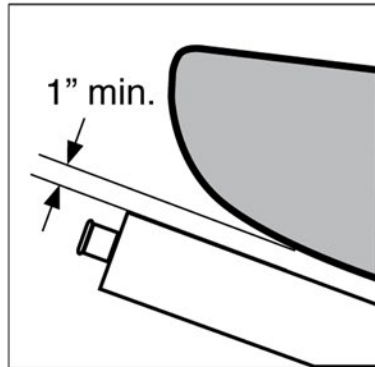
Using the strap with buckle on one side and loop on the opposite side, hook it or loop it around the frame, foot peg or secure body part and then back into the clip on the bag. You can also pass the buckle through the loop creating a noose to attach it around the frame or secure body part.



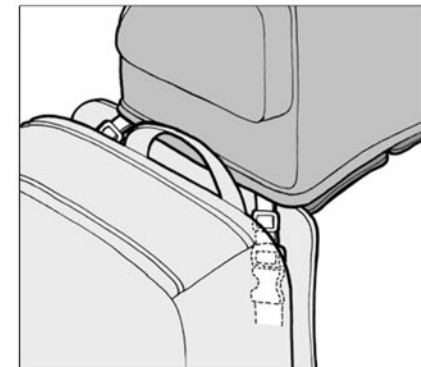
Re-attach strap to bag and adjust to fit. This strap does not need to be overtightened as the side straps mainly hold the bags against the bike only and when installed correctly, do not come under heavy load.



Depending on your bike's configuration, you may have to connect the two bags together with the side straps as shown. Position straps under the fender or licence plate bracket. Do not over-tighten. Check the bags from the rear of bike to make sure they are not angled in or out. Bags should be as vertical as possible.



The saddlebags should be positioned with a minimum of 1" clearance above exhaust pipe (see diagram above). Although bottoms of bags have an aluminized heat shield, it will not protect from direct contact with your hot exhaust and is not covered by our warranty.



You can also attach our tail packs to your saddlebags using the female buckles on the back side between the bags and neoprene pad. This optional mounting kit is sold separately.

Warning:

Read the installation instructions and make yourself familiar with the process of installing the Nelson-Rigg® product(s) on your bike. It is your responsibility to mount the product correctly and securely as outlined in these instructions. Nelson-Rigg® products are intended for use at USA street legal speeds as posted by the individual States. Nelson-Rigg® luggage must not be overloaded. Max carrying capacity is 10 lbs per bag or the maximum load suggested by the manufacturer of the vehicle, whichever is less.

Failure to adhere to these warnings may result in, but not be limited to: the luggage becoming detached, the product becoming tangled in moving parts of the vehicle, unstable vehicle dynamics, reduction in the ability to control the vehicle. The result(s) of could lead to serious injury.

Always ride safely, adhering to the local highway regulations. Always wear a helmet and protective apparel.

Before operating your motorcycle, double check that the bag and all straps are free from any moving parts or surfaces that may get hot during operation. It's always good practice to recheck all mounting points, stability and condition of the bag and the mounting system before and during stops on each ride.

3518-A Lake Center Dr Santa Ana, CA 92704
Tel (714)850-1811 Fax (714)850-1848
e-mail: info@nelsonrigg.com www.nelsonrigg.com

